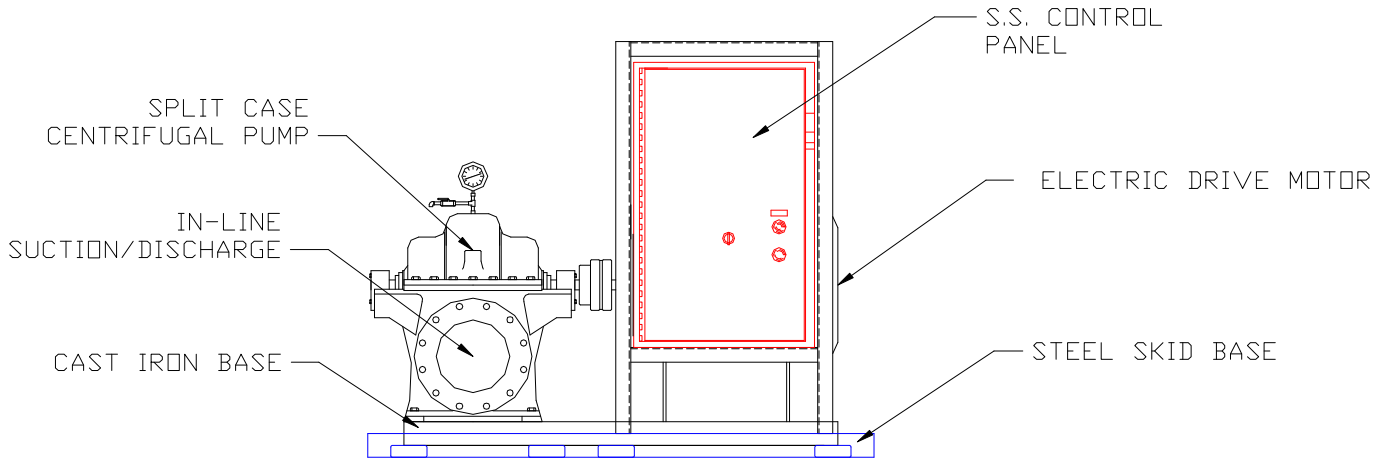


VTECP-I6000 250 H.P. Portable Pump



Equipment Description

All Pumps are skid mounted and fully packaged as standard. All units are shipped complete with a NEMA 4x starter panel for easy single point connection. The unit is designed to be off-loaded with a forklift or crane. Like all of Varitech Equipment Company's temporary equipment, reliability and ease of use are at the forefront of our design philosophy.

Mechanical Connections

Inlet (Suction) 1 - 12" Dia., Flg.

Outlet (Discharge) 1 - 10" Dia., Flg.

Physical Data

Model VTECP-I6000 250 H.P.

Base 4' x 8'

Width 4'

Max. Height 4'

Design Flow Range 2,400 - 6,000 gpm

Operating Weight 4,850 lbs.

For more information, please contact Varitech Equipment Company 24/7 at **800.445.6085**.

Electrical

Motor Frame 447T

Total HP/F.L. Amps 250/290

Phase/Hz/Volts 3/60/460

Enclosure TEFC

Speed 1800 RPM

Insulation F / 1.15

Materials/Construction

Coupling Guard Steel

Casing Cast Iron

Casing Wear Ring Bronze

Shaft SAE

Impeller Bronze

Lubrication Grease

Shaft Sleeve Bronze

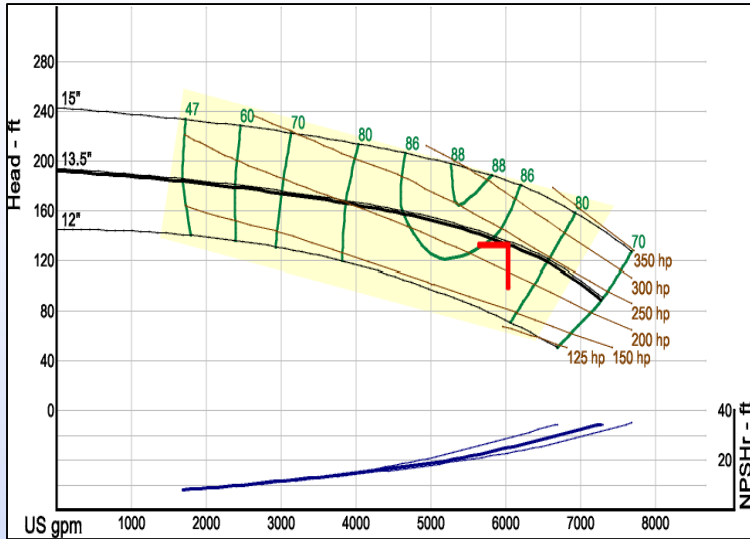
Bearings 6207 Radial / 5306 Coupling

Coupling Dodge Paraflex

Varitech Equipment Company, Inc.
1225 Veal Street
Cedartown, Georgia 30125
800.445.6085

www.rentalcoolingtowers.com

Varitech... Home of the World's Largest Portable Cooling Towers



<u>Flow - GPM</u>	<u>Speed - RPM</u>	<u>FT/Head</u>	<u>Pump Efficiency (%)</u>	<u>BHP</u>	<u>NPSHr/FT</u>
-------------------	--------------------	----------------	----------------------------	------------	-----------------

7200	1775	89.4	71	2305	34.1
6000	1775	131	84	234	25.1
4800	1775	153	86	214	18.2
3600	1775	167	77	195	13.5

Varitech Equipment Company, Inc.
 1225 Veal Street
 Cedartown, Georgia 30125
 800.445.6085
www.rentalcoolingtowers.com

Varitech... Home of the World's Largest Portable Cooling Towers