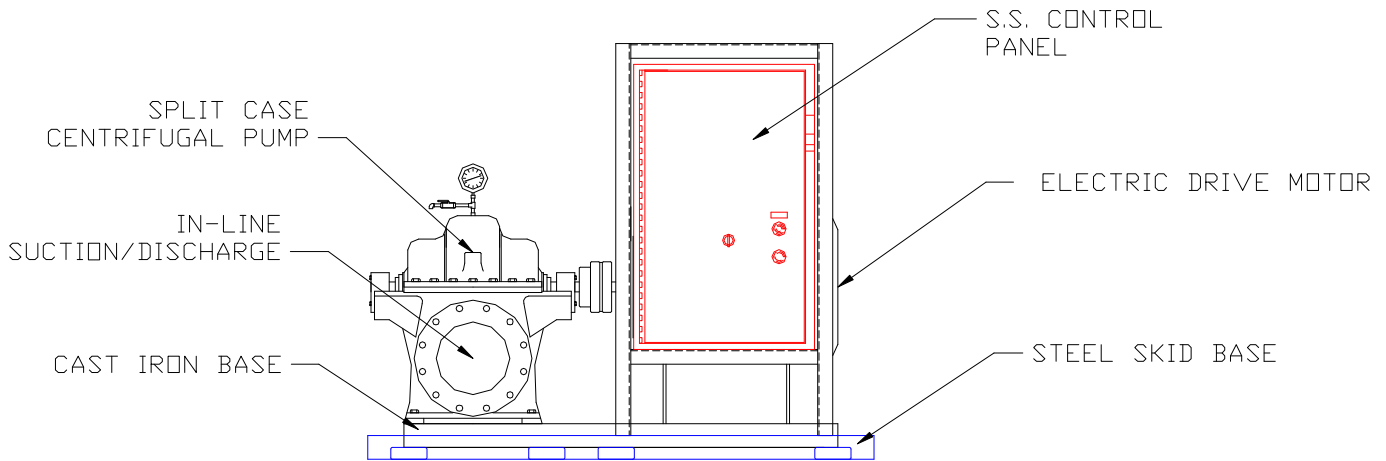


VTECP-I6000 200 H.P. Portable Pump



Equipment Description

All Pumps are skid mounted and fully packaged as standard. All units are shipped complete with a NEMA 4x starter panel for easy single point connection. The unit is designed to be off-loaded with a forklift or crane. Like all of Varitech Equipment Company's temporary equipment, reliability and ease of use are at the forefront of our design philosophy.

Mechanical Connections

Inlet (Suction) 1 - 12" Dia., Flg.

Outlet (Discharge) 1 - 10" Dia., Flg.

Physical Data

Model VTECP-I6000 200 H.P.

Base 4' x 8'

Width 4'

Max. Height 4'

Design Flow Range 2,400 - 6,000 gpm

Operating Weight 4,850 lbs.

For more information, please contact Varitech Equipment Company 24/7 at **800.445.6085**.

Electrical

Motor Frame 445T

Total HP/F.L. Amps 200/225

Phase/Hz/Volts 3/60/460

Enclosure TEFC

Speed 1800 RPM

Insulation F / 1.15

Materials/Construction

Coupling Guard Steel

Casing Cast Iron

Casing Wear Ring Bronze

Shaft SAE

Impeller Bronze

Lubrication Grease

Shaft Sleeve Bronze

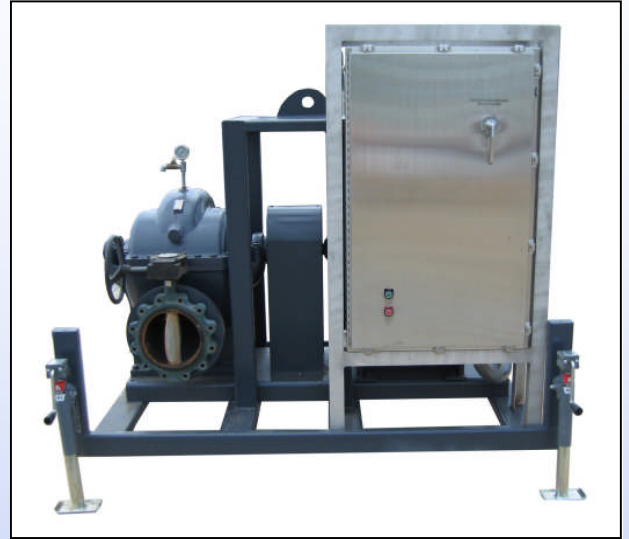
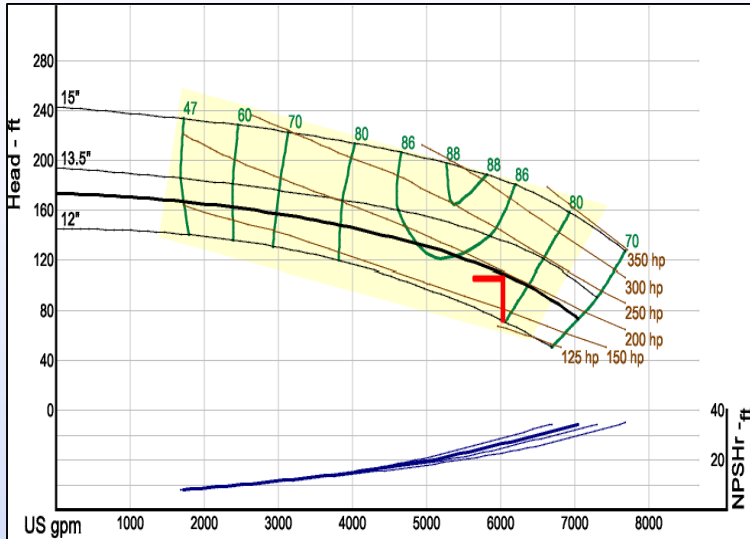
Bearings 6207 Radial / 5306 Coupling

Coupling Dodge Paraflex

Varitech Equipment Company, Inc.
1225 Veal Street
Cedartown, Georgia 30125
800.445.6085

www.rentalcoolingtowers.com

Varitech... Home of the World's Largest Portable Cooling Towers



<u>Flow - GPM</u>	<u>Speed - RPM</u>	<u>FT/Head</u>	<u>Pump Efficiency (%)</u>	<u>BHP</u>	<u>NPSHr/FT</u>
-------------------	--------------------	----------------	----------------------------	------------	-----------------

6000	1775	107	82	195	26.6
4800	1775	132	86	186	18.9
3600	1775	149	77	174	13.7
2400	1775	160	60	160	9.95

Varitech Equipment Company, Inc.
1225 Veal Street
Cedartown, Georgia 30125
800.445.6085
www.rentalcoolingtowers.com

Varitech... Home of the World's Largest Portable Cooling Towers