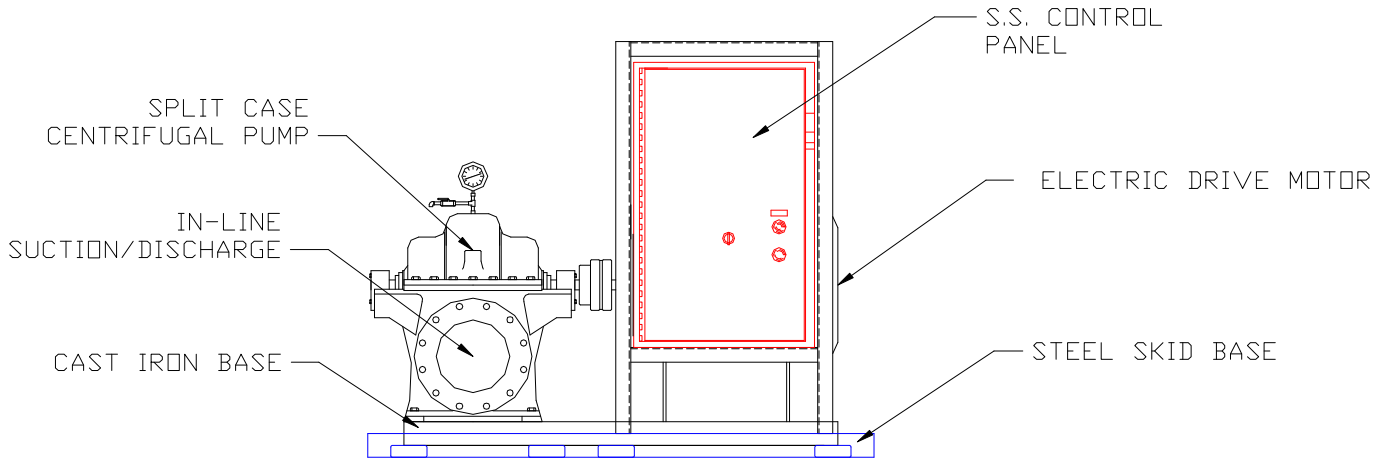


VTECP-I1800 60 H.P. Portable Pump



Equipment Description

All Pumps are skid mounted and fully packaged as standard. All units are shipped complete with a NEMA 4x starter panel for easy single point connection. The unit is designed to be off-loaded with a forklift or crane. Like all of Varitech Equipment Company's temporary equipment, reliability and ease of use are at the forefront of our design philosophy.

Mechanical Connections

Inlet (Suction) 1 - 8" Dia., Flg.

Outlet (Discharge) 1 - 8" Dia., Flg.

Physical Data

Model VTECP-I1800 60 H.P.

Base 4' x 8'

Width 4'

Max. Height 4'

Design Flow Range 720 - 2,160gpm

Operating Weight 4,850 lbs.

For more information, please contact Varitech Equipment Company 24/7 at **800.445.6085**.

Electrical

Motor Frame 364T

Total HP/F.L. Amps 60/74

Phase/Hz/Volts 3/60/460

Enclosure TEFC

Speed 1800 RPM

Insulation F / 1.15

Materials/Construction

Coupling Guard Steel

Casing Wear Ring Bronze

Casing Cast Iron

Shaft SAE

Shaft Sleeve Bronze

Lubrication Grease

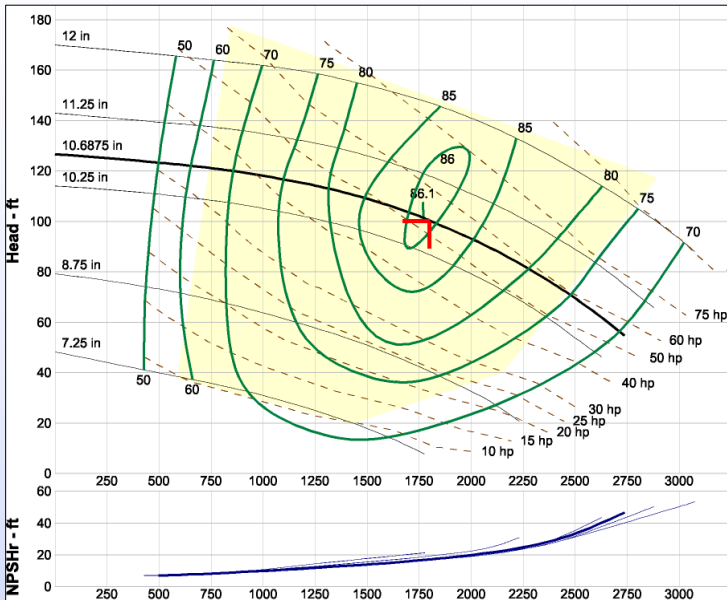
Base Plate Cast Iron

Coupling Dodge Paraflex

Varitech Equipment Company, Inc.
1225 Veal Street
Cedartown, Georgia 30125
800.445.6085

www.rentalcoolingtowers.com

Varitech... Home of the World's Largest Portable Cooling Towers



<u>Flow - GPM</u>	<u>Speed - RPM</u>	<u>FT/Head</u>	<u>Pump Efficiency (%)</u>	<u>BHP</u>	<u>NPSHr/FT</u>
-------------------	--------------------	----------------	----------------------------	------------	-----------------

2160	1775	86.2	82	57.1	23.2
1800	1775	100	86	53	17.2
1440	1775	110	84	47.9	13.4
1080	1775	117	75	42.7	10.5

Varitech Equipment Company, Inc.
 1225 Veal Street
 Cedartown, Georgia 30125
 800.445.6085
www.rentalcoolingtowers.com

Varitech... Home of the World's Largest Portable Cooling Towers